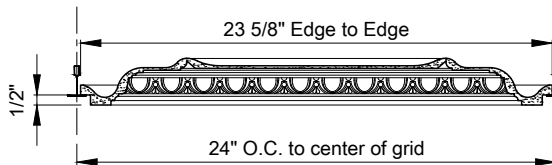
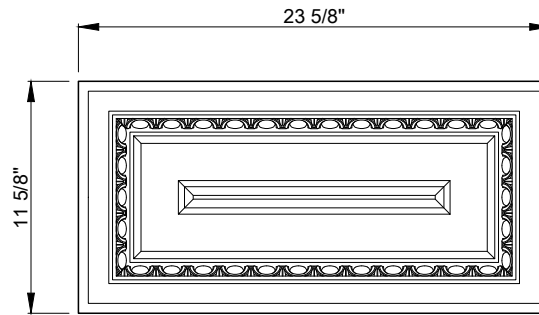


PLASTER CEILING TILES SPECIFICATIONS

Egg & Dart Rectangular



PRODUCT SIZE
1' x 2'

MATERIAL

Alpha Gypsum Plaster, Glass Mat & Fibers, Lightweight Post-Consumer Recycled Glass Non-Combustible Aggregates

WEIGHT

Varies depending on pattern from 6 to 10 lbs. ea. (1.5 to 2.5 lbs. per Sq/Ft)

FINISH TILE

Standard White Primer, Custom Colors Available

FINISH GRID

Available in Custom Paint Color, or Woodgrain please Inquire

ACOUSTIC INLAYS

Available please Inquire

FIRE RATING

Glass A (ASTM E84-80) with zero smoke spread, zero flame spread and zero fuel contribution

ASTM INTERNATIONAL

1. C1381/C1381M Standard Specification for Molded Glass Fiber Reinforced Gypsum Parts
2. C1467 Standard Specification for the Installation of Molded Glass Fiber Reinforced Gypsum Parts
3. C1355/C1355M Standard Specification of Glass Fiber Reinforced Gypsum Composites

INSTALLATION

By default all our Ceiling Tiles are sized for standard 15/16" T-Bar suspension Grid, (9/16" Plaster Ceiling Tiles available review website) Easy to cut on the field for sprinklers, Recessed lights, cctv, pendants & vents

FACTORY CUTS & PENETRATION

Please Inquire

CUSTOM FABRICATION

CNC Machining, 3D Printing, Match Existing & Mold Making

MADE IN NORTH AMERICA

Innovative Semi-Automatic manufacturing process reducing lead-times instead of one-at-a-time method

DISTRIBUTION

Available throughout North America, Islands, Europe and Middle East though our manufacturers representativ please Inquire www. Ceilings4u.com

Address: 173 Adesso Dr Concord, ON L4K 3C3
 Phone: (647) 748-3037
 Email: sales@ceilings4u.com
 Fax: (905) 760-9234
 Website: www.ceilings4u.com



PROJECT DATA

Nu-Vues 27xxx

| Project Name: | Contractor: | QTY | Finish/Color Options | Special Instructions |
|---------------|-------------|-----|----------------------|----------------------|
| Architect: | Location: | | | |
| Dealer: | Date: | | | |