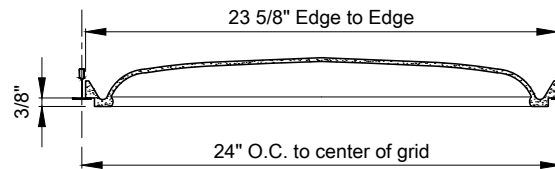
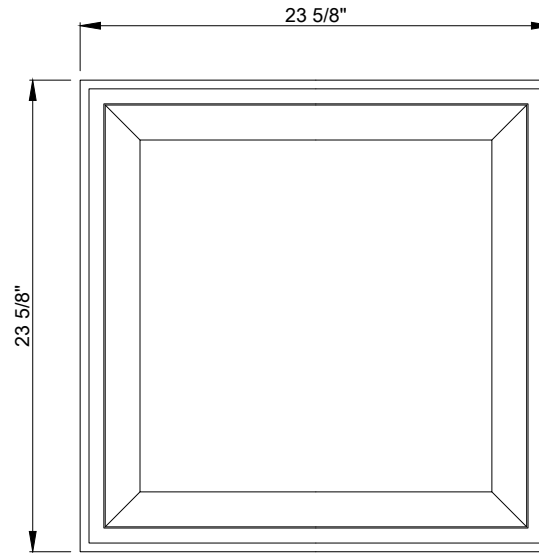
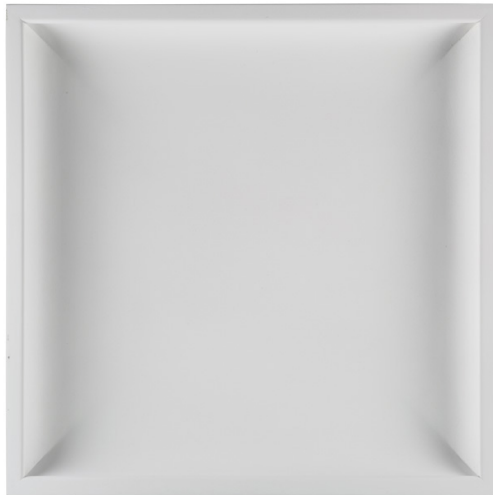


# PLASTER CEILING TILES SPECIFICATIONS

## Domed Coffer



**PRODUCT SIZE**  
2' x 2'

**MATERIAL**

Alpha Gypsum Plaster, Glass Mat & Fibers, Lightweight Post-Consumer Recycled Glass Non-Combustible Aggregates

**WEIGHT**

Varies depending on pattern from 6 to 10 lbs. ea. (1.5 to 2.5 lbs. per Sq/Ft)

**FINISH TILE**

Standard White Primer, Custom Colors Available

**FINISH GRID**

Available in Custom Paint Color, or Woodgrain please Inquire

**ACOUSTIC INLAYS**

Available please Inquire

**FIRE RATING**

Glass A (ASTM E84-80) with zero smoke spread, zero flame spread and zero fuel contribution

**ASTM INTERNATIONAL**

1. C1381/C1381M Standard Specification for Molded Glass Fiber Reinforced Gypsum Parts
2. C1467 Standard Specification for the Installation of Molded Glass Fiber Reinforced Gypsum Parts
3. C1355/C1355M Standard Specification of Glass Fiber Reinforced Gypsum Composites

**INSTALLATION**

By default all our Ceiling Tiles are sized for standard 15/16" T-Bar suspension Grid, (9/16" Plaster Ceiling Tiles available review website) Easy to cut on the field for sprinklers, Recessed lights, cctv, pendants & vents

**FACTORY CUTS & PENETRATION**

Please Inquire

**CUSTOM FABRICATION**

CNC Machining, 3D Printing, Match Existing & Mold Making

**MADE IN NORTH AMERICA**

Innovative Semi-Automatic manufacturing process reducing lead-times instead of one-at-a-time method

**DISTRIBUTION**

Available throughout North America, Islands, Europe and Middle East though our manufacturers representativ please Inquire [www.Ceilings4u.com](http://www.Ceilings4u.com)

Address: 173 Adesso Dr Concord, ON L4K 3C3  
 Phone: (647) 748-3037  
 Email: [sales@ceilings4u.com](mailto:sales@ceilings4u.com)  
 Fax: (905) 760-9234  
 Website: [www.ceilings4u.com](http://www.ceilings4u.com)



**PROJECT DATA**

**Nu-Vues 27570**

Project Name:	Contractor:	QTY	Finish/Color Options	Special Instructions
Architect:	Location:			
Dealer:	Date:			